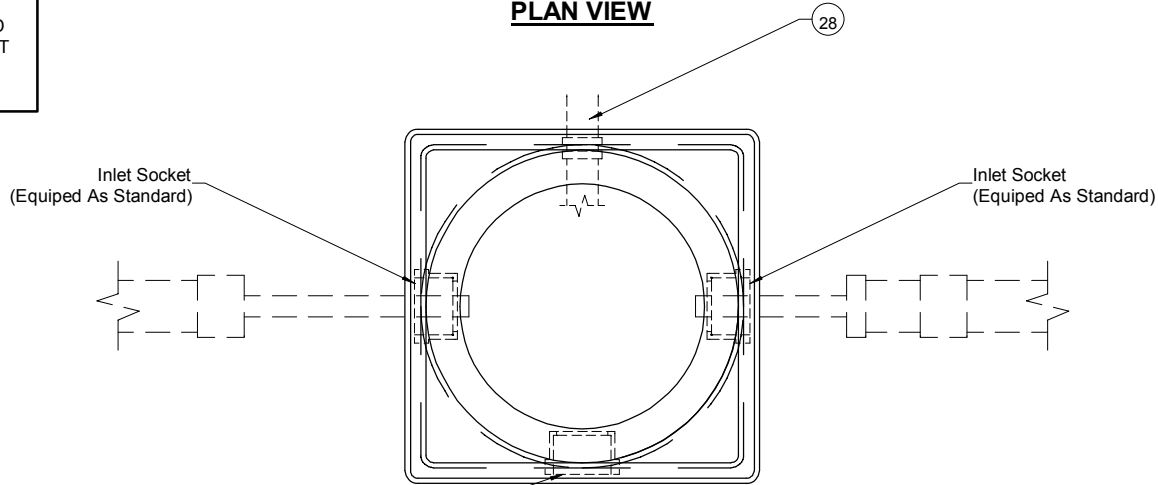


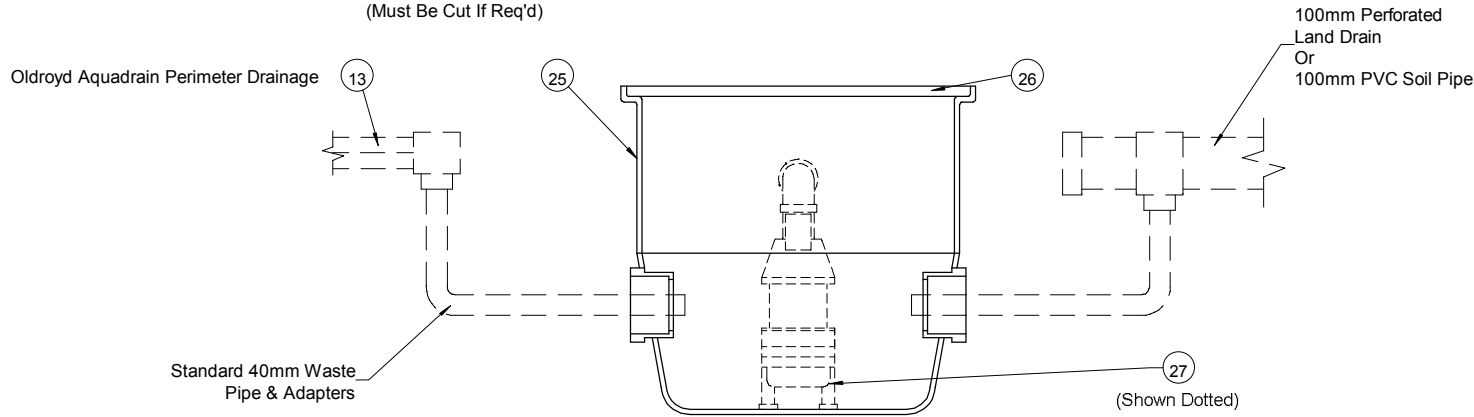
THIS DRAWING IS THE PROPERTY OF SAFEGUARD AND MUST NOT BE LOANED OR COPIED WITHOUT WRITTEN CONSENT

© 2005 SAFEGUARD LTD

PLAN VIEW



SIDE ELEVATION/SECTION



1	Oldroyd Xv membrane
2	Oldroyd Xs membrane
3	Oldroyd P
4	Oldroyd G
5	Oldroyd Brick Plug with compression seal
6	Oldroyd Plaster Membrane Plug with compression seal
7	Oldroyd double sided tape
8	Oldroyd Xv flat flange & tape channel
9	Oldroyd incoming service collar
10	Oldroyd Overseal Tape 75mm
11	Oldroyd Overseal Tape 200mm
12	Oldroyd Rope Seal
13	Oldroyd Aquadrain Perimeter Drainage
14	Metal frame system component
15	Vapourcheck Plasterboard 12.5mm
16	Skirting board
17	Disturbed floor made good
18	Whole floor coated with Safeguard ECS
19	Flooring grade 18mm T&G chipboard
20	Minimum 50mm floor screed
21	Insulation
22	Pea shingle
23	Timber batten
24	Existing floor damp proof membrane
25	Sump chamber
26	Sump cover
27	Sump pump
28	Pump discharge pipe
29	Water able to enter & drain away
30	Geotextile
31	Oldroyd Finishing Profile
32	Perforated Land Drain
33	P20 Membrane
34	Knauf Polyfoam Floorboard
35	
36	
37	
38	

NOTES:

System Drg. Nos:

Pump-002.tcw (TurboCAD)
Pump-002.dwg (Autocad)
Pump-002.pdf (Acrobat)

CLIENT:-

Safeguard Cavity Drainage Systems

CONTRACT No:

DRAWN	JDF. CBS
DATE	22nd February 2005
SCALE (A3)	1 : 10

TITLE:

Inlet & Discharge Pipe Connection Options for 600mm Sq. x 600mm Depth Polyethylene Pump Chamber



©Copyright T-T PUMPS Ltd. 2003

DRG. No. Pump-002	REV 2
----------------------	----------

MOD. BY	DATE	CHK. BY	APP. BY	MOD. BY	DATE	CHK. BY	APP. BY	MOD. BY	DATE	CHK. BY	APP. BY

CHECKED	
APPROVED	